



3501 Airport Rd. • Jonesboro, AR 72401
870-933-8048, Ext. 7118 • Fax: 870-933-8380
www.camfilfarr.com • email: filterman@camfilfarr.com
800-479-6801 • Fax: 800-222-6891

USER AND MAINTENANCE MANUAL

SELF-SUPPORTING FUME ARMS



This manual is designed to inform the user about the proper assembly and use of the device. The user is advised to become fully acquainted with the contents of the manual before installation of the device and to handle the device according to the manual.

Bulletin C-1000-23

EDITION 2000



3501 Airport Rd. • Jonesboro, AR 72401
870-933-8048, Ext. 7118 • Fax: 870-933-8380
www.camfilfarr.com • email: filterman@camfilfarr.com
800-479-6801 • Fax: 800-222-6891

CONTENTS

SECTION	PAGE
I. General information	3
II. Numbering system	3
III. Purpose	4
IV. Reservations of the manufacturer	5
V. Technical data	5
VI. Construction	7
VII. Mount and assembly instruction	9
VIII. Use and maintenance instruction and arm adjustment	11
IX. Troubleshooting	12
X. Safety guidelines	13
XI. Accessories	13
XII. Parts list	14

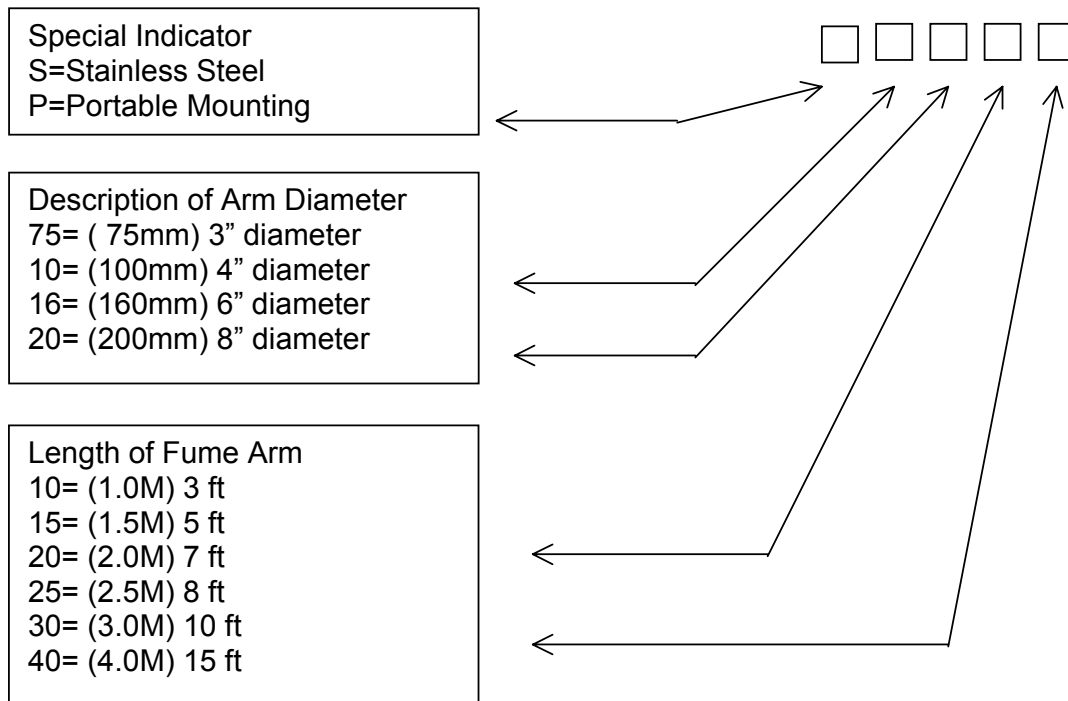
I. GENERAL INFORMATION

This manual contains basic technical data of the self-supporting suction arms type **CAMFIL FARR** and necessary information about installation, start and use of the devices. Before assembly and use of the device the owner and operator should read this manual carefully in order to fully understand the construction of the device, the principles of its operation, as well as its service and safety features. This will permit safe, efficient operation and assembly of the device. The Manufacturer reserves the right to make design and technological changes, which may improve the device.

The Manufacturer doesn't take any responsibility if the device is not used in accordance with the manual.

II. NUMBERING SYSTEM

The self-supporting suction arms numbering system is as follows:



Example:

S1620 - Stainless steel self-supporting arm, hanging version, 2 meters (7ft.) length of arm, Ø160mm (6") of arm diameter.



III. PURPOSE

Camfil Farr self-supporting fume arms are designed to easily locate near the source of fume generation and to easily provide for the extraction of dust and gas emissions in the workplace.

They ensure the most efficient means of protecting the worker from the impurities by removing them before they enter the operators breathing zone. Proper use of the self-locking joints and the flexible hoses ensures very easy extension of the hood allowing close proximity to the source of the impurities.

Closing of the manual damper allows the operator to divert the air to other units on the same system, which increases efficiency of the complete ventilation ducting.

The Camfil Farr self-supporting fume arms can be connected with:

- pivoting extension booms Type 5, which enlarge working radius by 3÷19ft (2÷6m)
- different filtering devices or fans
- energy efficient automatic equipment

Some of the possible areas for use of the Camfil Farr arms are:

- welding processes
- gluing
- painting
- polishing
- soldering
- chemicals
- light dusts
- grinding applications

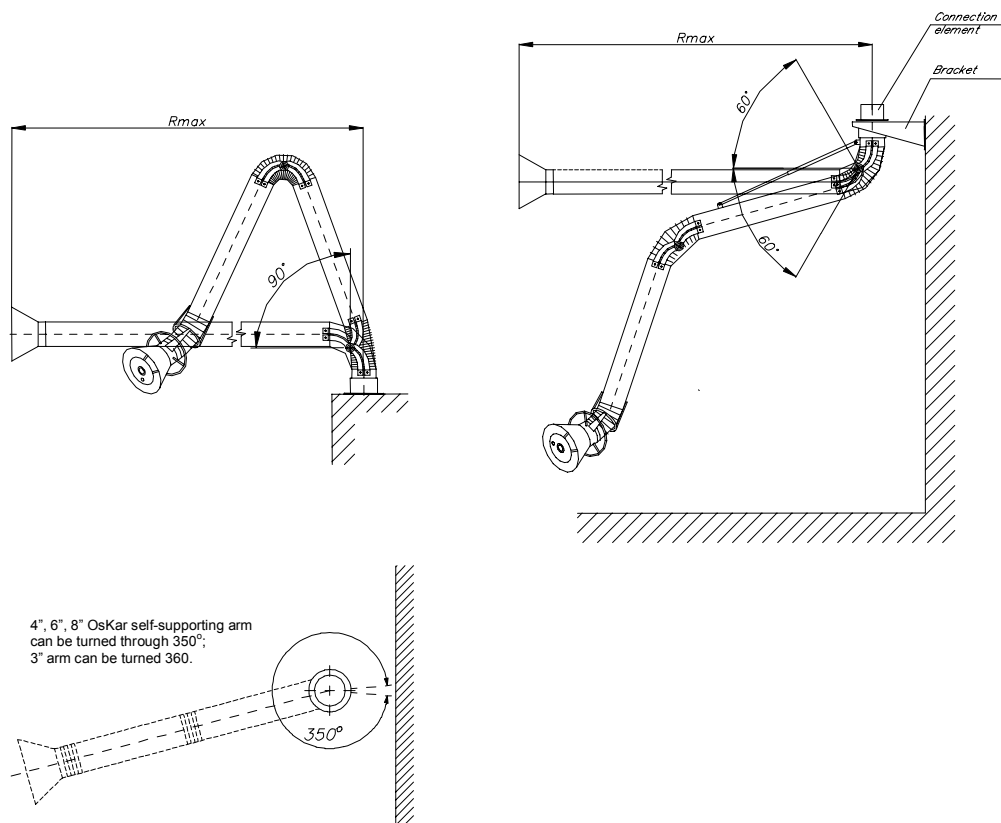
Limitation of use :

- All non stainless steel versions are not recommended for use with corrosive and caustic gases and dust
- Version with light installed in the hood are not recommended for use with corrosive, caustic and explosive gases and dust.

IV. RESERVATIONS OF THE MANUFACTURER.

The Manufacturer reserves the right to make design and technological changes, which may improve the device. Before mounting and use of the arm the owner and operator should read this manual carefully in order to understand fully the construction of the device, the principles of its operation, as well as its service and safety features. This will permit safe, efficient operation and assembly of the device. The Manufacturer doesn't take any responsibility if the device isn't used according to manual.

V. TECHNICAL DATA.



Drawing 1.
Working ranges and reaches of arms.

Table 1. Range of production.

Model	Arm Reach R_{max} [feet] / [m]	Arm Diameter [inches] / [mm]	Available Hood Diameter [inches] / [mm]
1. 7510	3 / 1.0	3 / 76	6 / 160
2. 7515	5 / 1.5	3 / 76	6 / 160
3. 1015	5 / 1.5	4 / 100	8 / 200
4. 1020	7 / 2.0	4 / 100	8 / 200
5. 1025	8 / 2.5	4 / 100	8 / 200
6. 1620	7 / 2.0	6 / 160	12 (14) / 315 (350)
7. 1630	10 / 3.0	6 / 160	12 (14) / 315 (350)
8. 1640	14 / 4.0	6 / 160	12 (14) / 315 (350)
9. 2020	7 / 2.0	8 / 200	14 (20) / 350 (500)
10. 2030	10 / 3.0	8 / 200	14 (20) / 350 (500)
11. 2040	14 / 4.0	8 / 200	14 (20) / 350 (500)

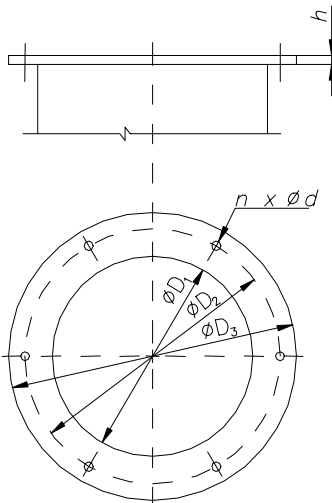
***Add prefix "S" to above to order or specify stainless steel arms.
 Add prefix "P" to above to order or specify standing flange mounted arms.

A large variety of hoods can be manufactured to suit a particular requirement.

Different diameters, constructions, and materials are available.

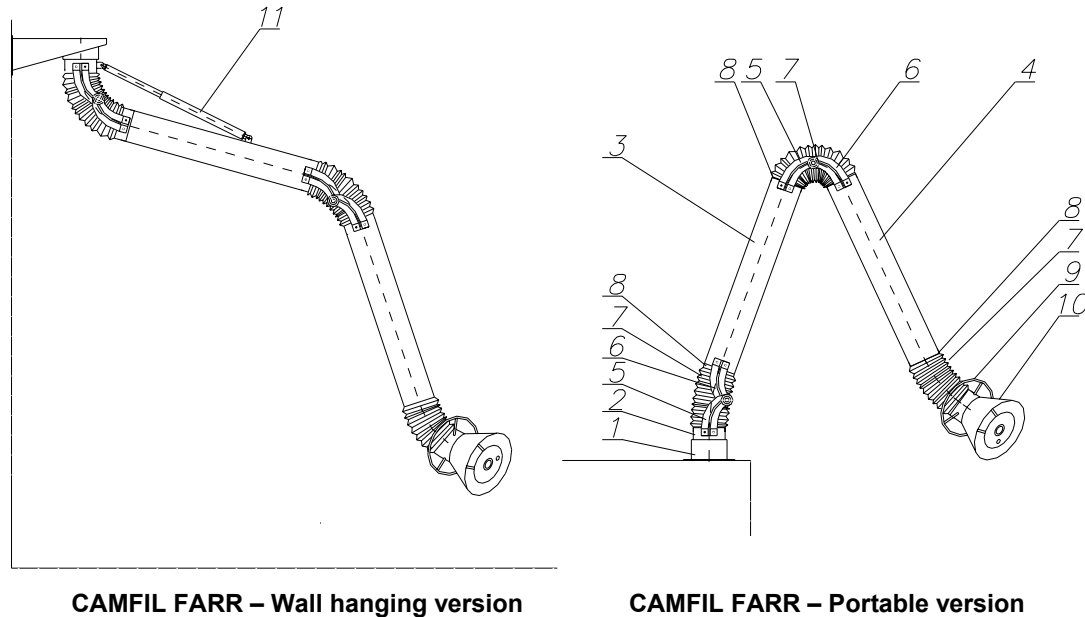
All hoods are equipped for installation of optional light kit.

Dimensions of mounting flanges CAMFIL FARR fume arms:



Diameter of arms [inches]	n	D [in.]/[mm]	D1 [in.]/[mm]	D2 [in.]/[mm]	D3 [in.]/[mm]	h [in.]/[mm]
3"	4	.26/6.5	2.85/72	4.41/112	4.92/125	.20/5
4"	4	.26/6.5	3.78/94	5.28/134	5.83/148	.20/5
6"	6	.28/7	6.02/153	7.68/195	8.66/220	.26/7
8"	8	.35/9	7.79/198	9.68/246	10.83/275	.35/9

VI. CONSTRUCTION.



CAMFIL FARR – Wall hanging version

CAMFIL FARR – Portable version

Drawing 2.
Construction of self-supporting suction arm.

a. These basic components are in all versions:

- The rotating socket which consists of the outer sleeve (1) (cast aluminium) with the connecting flange and the other inner sleeve (2) (steel). The sleeves for 4", 6", and 8" arms are connected together by means of threads. The 350° rotation range of the sleeves is limited by a stop. Connection 3" arm sleeves doesn't use the thread, and this way it can be rotated around. The complete unit is electrostatically powder coated with "thermo-hardened" paint.
- Arms (3) and (4) are constructed of rolled sheet steel, covered and painted as above.
- The flat joints (5) inner and (6) outer or the 6" and 8" versions are constructed of cast aluminum painted by the electrostatic method (described above), and



bolted to the inner sleeve of the rotating socket and to the arm I and II. For 3", 4" version - steel elements also painted and bolted as above.

- The friction joints are separated by the frictional insert and washer. These elements are bolted together.
- The flexible hose (7) connecting the elements of the self-supporting arm ("bending" of device) is attached by means of gear clamps (8).
- The hood (10) is fabricated of aluminium sheet with the handle (9), which facilitates easy placement of the unit in the required position. The hood is added according to the version and powder coated with polyesterepoxy "thermo-hardened" paint.
- The manual damper is installed on the arm tube II (4) near the hood.

b. Wall mounted (hanging) version:

- Mounted via the flange of the outer sleeve (of rotating socket) to the support structure (bracket) by means of six screws M6 (3/8").
- To aid the up and down movement of the arm, each 4", 6" and 8" unit is provided with an encapsulated spring (11) and fixed to the inner sleeve of the rotating socket and the tube of arm I.

c. Portable (standing) version:

- Mounted via the flange of the outer sleeve (of rotating socket) to the support structure by means of bolts M6 (3/8").
- To aid the up and down movement of the arm, each 4", 6" and 8" unit is provided with a cylinder spring fixed to the inner sleeve of the rotating socket and the tube of arm I. These springs are placed inside the tube.
- To protect the arm from falling below a certain level, a steel cable is attached parallel to the spring as above for the 6" and 8" versions.

d. Optional hood accessories (special order):

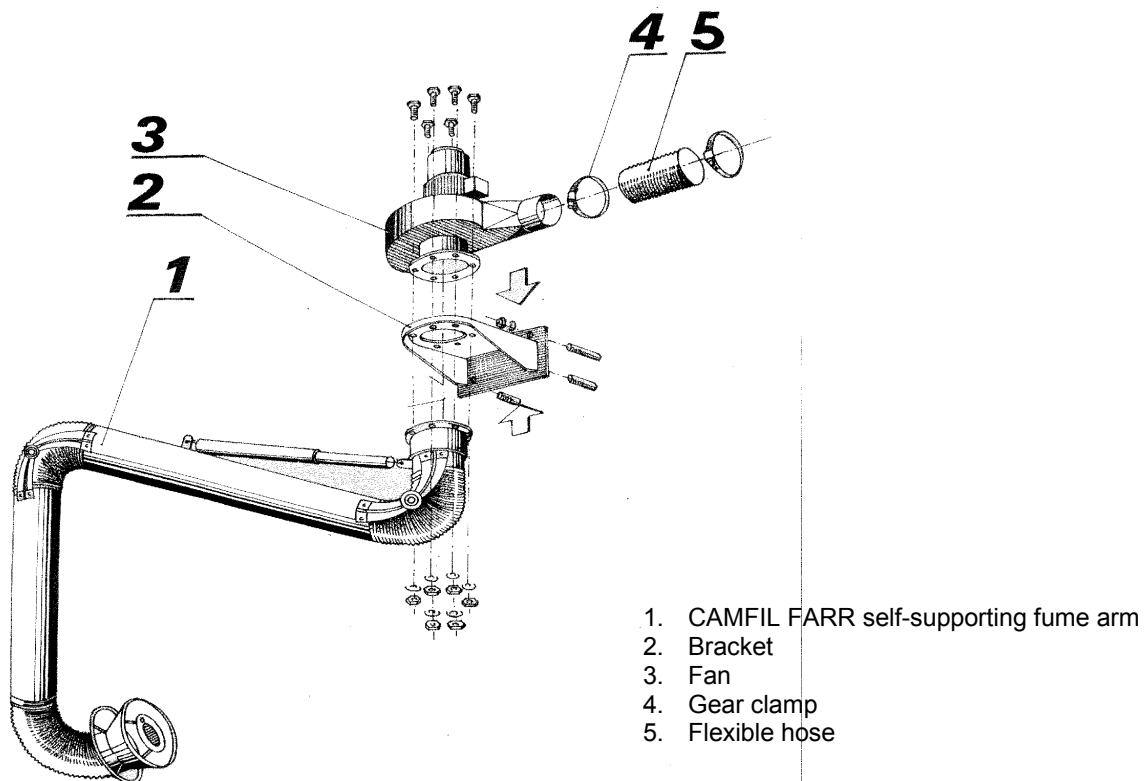
- Inlet Hood Grill prevents rags and large objects from entering the arm.
- Light Kit with Control Switch for light and/or fan.

VII. MOUNTING AND ASSEMBLY INSTRUCTION

Mounting instructions:

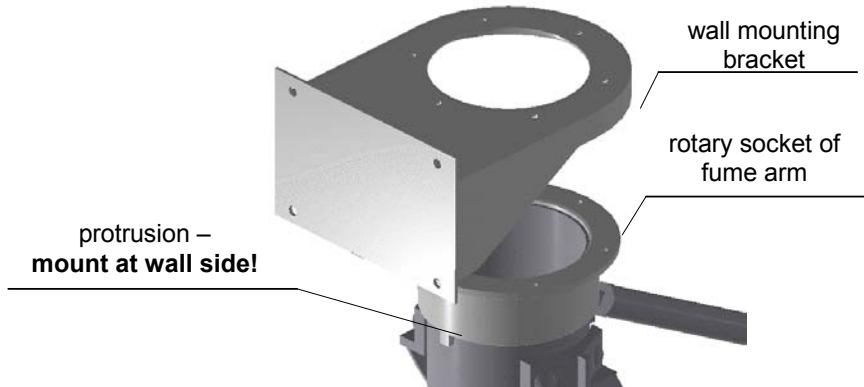
- The self-supporting suction arm is fixed to the bracket installed on the wall or to the pivoting extension boom that enlarges the working range of the device, or to other element having a connecting flange with dimensions the same as the inner sleeves of the rotating socket.
- NOTE: THE SOCKET'S AXIS OF THE FUME ARM MUST BE VERTICAL!
- The rotating socket should be fixed so as the protrusion on the outer sleeve that limits the rotating is opposite the wall, bracket or the pivoting axis of the pivoting extension boom – see Drawing 3 .

Note: In case of the installing the bracket at a height less than 8 ft. (2,5m) above the floor, the bracket should be turned up-side-down. Replace the standard connector to the welded-high one.



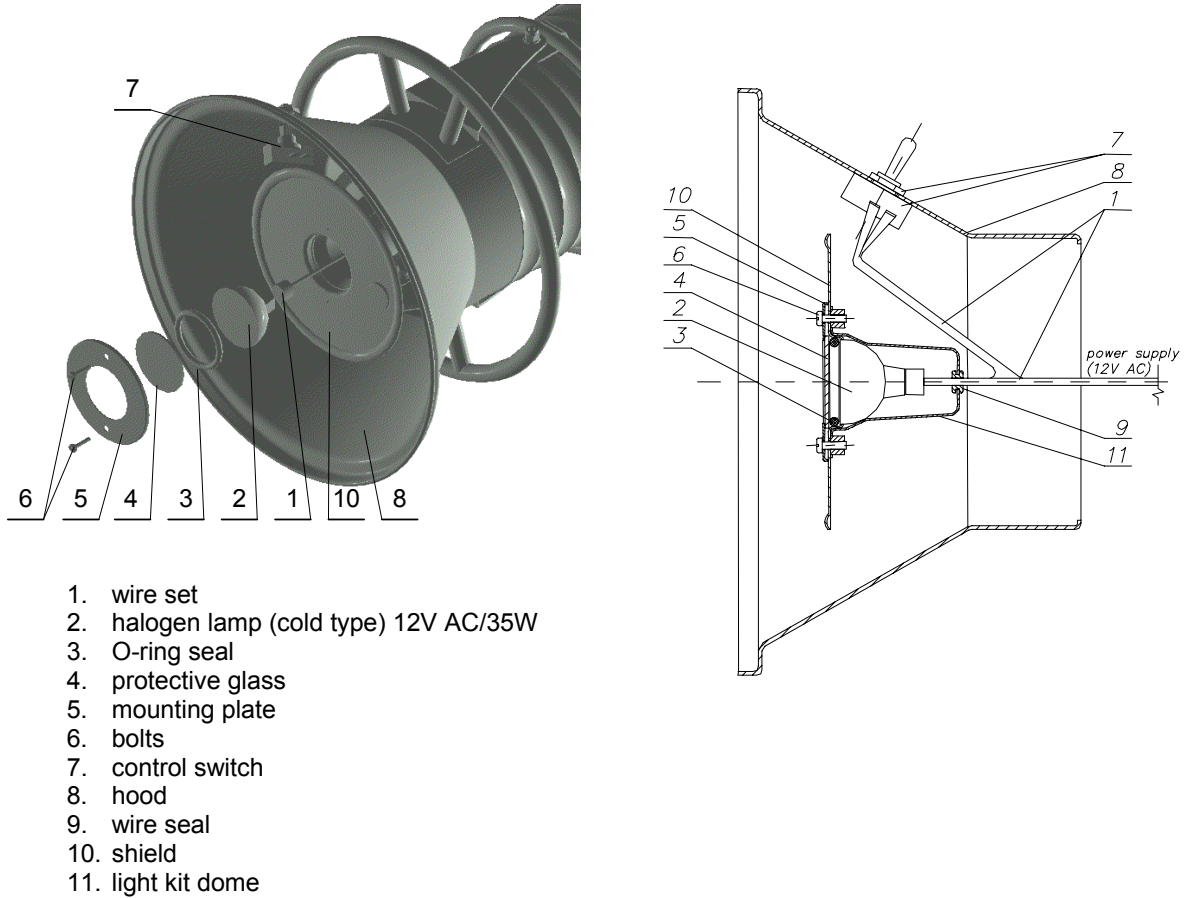
Drawing 3.

Example of the assembly of self-supporting arm in the ducting.



Drawing 4.
Mounting the socket of the fume arm.

Mounting optional light kit:



1. wire set
2. halogen lamp (cold type) 12V AC/35W
3. O-ring seal
4. protective glass
5. mounting plate
6. bolts
7. control switch
8. hood
9. wire seal
10. shield
11. light kit dome

Drawing 5.
Light kit mounting.



Before mounting the light kit, remove the plug from the side of the hood (for mounting of control switch) and unscrew the plate at the center of the hood (for mounting halogen lamp). You also need to remove the hose from the hood joint (4", 6" and 8" versions) or take the hood off (3" version).

After that do as follows:

- place the wire set (1) moving it through the wire seal (9) inside the light kit dome (11)
- connect the control switch (7) to the wire set (1) and mount the switch on the side of hood (8)
- plug in (connect) the halogen lamp (2) into the wire set socket
- put halogen lamp (2), o-ring seal (3), protective glass (4) together and place them inside the hood
- install the mounting plate (5) with using the bolts (6)

VIII. USE, MAINTENANCE, AND ARM ADJUSTMENT INSTRUCTION

The installed self-supporting arm should be checked for freedom of movement and rotation of the socket. If excessive resistance exists at the joints, adjustment must be carried out. It is recommended to spray the hood (before work, each day) with anti-spatter preparation. It will make easier cleaning of the device every day.

The maintenance of the device is carried out periodically as follows:

- a) Everyday-
 - Clean inner surface of the hood and outer surface of the arm.
 - Check self-locking of the arms and the hood, and adjust if necessary.
- b) Once per month-
 - Grease the rotating socket with bearing grease which does not react with aluminium.
 - Check self-locking and adjust if necessary.
- c) Once every 3 months-
 - Disassemble the flexible hoses; clean up the inside of the self-supporting arm (warm water with detergent).

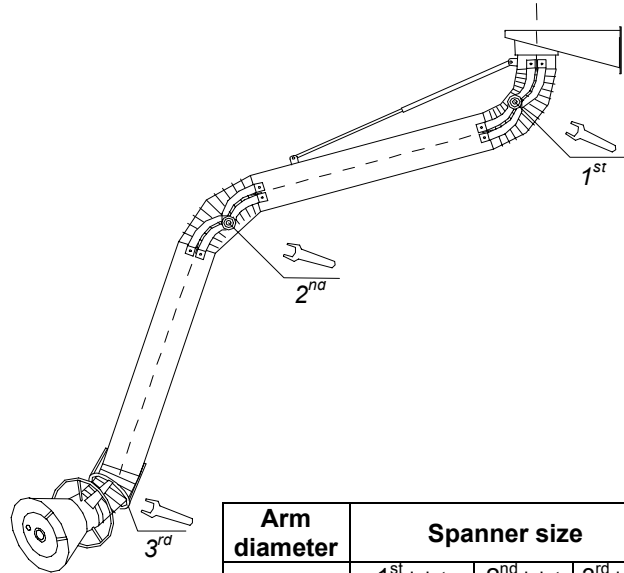
- Replace the glass panel in the spotlight.

Adjustment

For adjustment of any joint use two spanners.

Adjustment is made with arm horizontally levelled.

- Adjust the 1st set of the flat joints between the arms by holding the bolt and tightening the self-locking nuts on the joint pairs. With 3" version of arms you need one spanner. Knob nuts placed in this version are used for locking the nuts.
- Adjust the 2nd set as above. The horizontally positioned arm shouldn't fall down when released.
- Adjust the hood joint (3rd) as described above.



Arm diameter	Spanner size		
	1 st joint	2 nd joint	3 rd joint
3"	13	13	10
4"	17	17	10
6"	21	21	13
8"	21	21	13

IX. TROUBLESHOOTING

Symptoms	Possible Reasons	Solution
The arm will not stay where it is placed.	The joints require adjustment.	Adjust the joints (item VIII).
Stronger resistance during rotation of the arm.	Lack of grease in the rotating socket.	Grease the rotating socket.
Decrease in air volume.	a/ Hose not properly connected to Arm tubes. b/ The flexible hose is damaged. c/ The damper is closed	a/Reconnect Hose. b/Replace Damaged Hoses. c/ Open Arm Damper



3501 Airport Rd. • Jonesboro, AR 72401
870-933-8048, Ext. 7118 • Fax: 870-933-8380
www.camfilfarr.com • email: filterman@camfilfarr.com
800-479-6801 • Fax: 800-222-6891

X. SAFETY GUIDELINES

For the safe operation of the CAMFIL FARR self-supporting fume arms:

- DO NOT rotate the arm beyond the noticeable "resistance" (4", 6" and 8" versions).
- DO NOT bend it beyond vertical axis of the rotating socket.

XI. ACCESSORIES AVAILABLE.

- **Light Kit** – Complete set of halogen lamp with control switch, set of wires and mounting elements destined to be placed in the hood.
- **Hood Options** – Diameter 14" ϕ for 6" diameter arm, 20" ϕ for 8" diameter arm. Gap hoods are available.
- **Mounting Brackets** – Brackets are destined to mount the arm on the wall see (Drawing 2). Brackets are available for all types of CAMFIL FARR arms.
- **Fans** – Centrifugal units can be mounted on the brackets together with arm or in the ducting (ref. Drawing 2).
- **Pivoting Booms** – Devices which enlarge the working range of arm.



XII. PARTS LIST

Parts list (refer to Drawings 6+14):

6" ϕ Hanging Version

No	Description	Quantity	Arm model					
			1620	1630	1640	S1620	S1630	S1640
Article. No								
1.	Joint 1	1	1620-1	1630-1	1640-1	S1620-1	S1630-1	S1640-1
2.	Joint 2	1	1620-2	1630-2	1640-2	S1620-2	S1630-2	S1640-2
3.	Joint 3	1	1620-3	1630-3	1640-3	S1620-3	S1630-3	S1640-3
4.	Joint 4	1	1620-4	1630-4	1640-4	S1620-4	S1630-4	S1640-4
5.	Joint 5	1	1620-5	1630-5	1640-5	S1620-5	S1630-5	S1640-5
6.	Joint 6	1	1620-6	1630-6	1640-6	S1620-6	S1630-6	S1640-6
7.	Joint 7	1	1620-7	1630-7	1640-7	S1620-7	S1630-7	S1640-7
8.	Joint 8	1	1620-8	1630-8	1640-8	S1620-8	S1630-8	S1640-8
9.	Friction insert I 70	2	1620-9	1630-9	1640-9	S1620-9	S1630-9	S1640-9
10.	Friction insert II 60	2	1620-10	1630-10	1640-10	S1620-10	S1630-10	S1640-10
12.	Tube I 160	1	1620-12	1630-12	1640-12	S1620-12	S1630-12	S1640-12
13.	Tube II 160	1	1620-13	1630-13	1640-13	S1620-13	S1630-13	S1640-13
14.	Reinforcing element I 160	3	1620-14	1630-14	1640-14	S1620-14	S1630-14	S1640-14
16.	Reinforcing element III 160	1	-	-	1640-16	-	-	S1640-16
17.	Catch 1 36	1	1620-17	1630-17	1640-17	S1620-17	S1630-17	S1640-17
18.	Catch 2 32	1	1620-18	1630-18	1640-18	S1620-18	S1630-18	S1640-18
19.	Bracket I 160	1	1620-19	1630-19	1640-19	S1620-19	S1630-19	S1640-19
19. a.	Bracket II 160	1	1620-19a	1630-19a	1640-19a	S1620-19a	S1630-19a	S1640-19a
20.	Spring I, l=600	1	1620-20	1630-20	1640-20	S1620-20	S1630-20	S1640-20
21.	Spring II, l=190	-	-	-	-	-	-	-
22.	Outer sleeve 160	1	1620-22	1630-22	1640-22	S1620-22	S1630-22	S1640-22
24.	Inner sleeve 160	1	1620-24	1630-24	1640-24	S1620-24	S1630-24	S1640-24
25.	Orifice 160	1	1620-25	1630-25	1640-25	S1620-25	S1630-25	S1640-25
26.	Axle I	1	1620-26	1630-26	1640-26	S1620-26	S1630-26	S1640-26
27.	Axle II	1	1620-27	1630-27	1640-27	S1620-27	S1630-27	S1640-27
28.	Lever	1	1620-28	1630-28	1640-28	S1620-28	S1630-28	S1640-28
29.	Sleeve	2	1620-29	1630-29	1640-29	S1620-29	S1630-29	S1640-29
30.	Support plate	1	1620-30	1630-30	1640-30	S1620-30	S1630-30	S1640-30
31.	Screw with mushroom head M10x30-4.8	8	1620-31	1630-31	1640-31	S1620-31	S1630-31	S1640-31
32.	Nut M10-5-C	8	1620-32	1630-32	1640-32	S1620-32	S1630-32	S1640-32
33. a.	Regular washer 10.5	2	1620-33a	1630-33a	1640-33a	S1620-33a	S1630-33a	S1640-33a
34.	Spring washer Z10.2	8	1620-34	1630-34	1640-34	S1620-34	S1630-34	S1640-34
35.	Screw with mushroom head M8x30-4.8	8	1620-35	1630-35	1640-35	S1620-35	S1630-35	S1640-35
36.	Nut M8-5-C	9	1620-36	1630-36	1640-36	S1620-36	S1630-36	S1640-36
38.	Spring washer Z8.2	9	1620-38	1630-38	1640-38	S1620-38	S1630-38	S1640-38
39.	Screw M6x20-3.6-C	6 for 14 ft, 4 for other	1620-39	1630-39	1640-39	S1620-39	S1630-39	S1640-39
40.	Regular washer 6.4	8 for 14 ft, 6 for other	1620-40	1630-40	1640-40	S1620-40	S1630-40	S1640-40
41.	Spring washer Z6.1	9 for 14 ft, 7 for other	1620-41	1630-41	1640-41	S1620-41	S1630-41	S1640-41



42.	Nut M6-5-C	8 for 14 ft, 6 for other	1620-42	1630-42	1640-42	S1620-42	S1630-42	S1640-42
43.	Screw M6x25	2	1620-43	1630-43	1640-43	S1620-43	S1630-43	S1640-43
44.	Regular washer 6.4	2	1620-44	1630-44	1640-44	S1620-44	S1630-44	S1640-44
44. a.	Regular washer 6.4	2	1620-44a	1630-44a	1640-44a	S1620-44a	S1630-44a	S1640-44a
45.	Self-locking nut M6-5-C	2	1620-45	1630-45	1640-45	S1620-45	16-45	S1640-45
46.	Self-locking nut M14x1.5-5-B	4	1620-46	1630-46	1640-46	S1620-46	S1630-46	S1640-46
47.	Disk spring DI 60x14.5x3	4	1620-47	1630-47	1640-47	S1620-47	S1630-47	S1640-47
48.	Disk spring DI 50x14.5x2.2	4	1620-48	1630-48	1640-48	S1620-48	S1630-48	S1640-48
49.	Aluminum pipe □36x1, l=600	1	1620-49	1630-49	1640-49	S1620-49	S1630-49	S1640-49
50.	Aluminum pipe □32x1, l=600	1	1620-50	1630-50	1640-50	S1620-50	S1630-50	S1640-50
57.	Screw M14x1.5x60-8.8-B	2	1620-57	1630-57	1640-57	S1620-57	S1630-57	S1640-57
58.	Screw M14x1.5x55-8.8-B	2	1620-58	1630-58	1640-58	S1620-58	S1630-58	S1640-58
60.	Hood φ315/160	1	1620-60	1630-60	1640-60	S1620-60	S1630-60	S1640-60
61.	Handle 160	1	1620-61	1630-61	1640-61	S1620-61	S1630-61	S1640-61
62.	Light kit dome	1	1620-62	1630-62	1640-62	S1620-62	S1630-62	S1640-62
63.	Shutter for inlet 160	1	1620-63	1630-63	1640-63	S1620-63	S1630-63	S1640-63
64.	Wire seal GH6	1	1620-64	1630-64	1640-64	S1620-64	S1630-64	S1640-64
65.	Protecting plate	1	1620-65	1630-65	1640-65	S1620-65	S1630-65	S1640-65
66.	Screw WP M4x16	2	1620-66	1630-66	1640-66	S1620-66	S1630-66	S1640-66
67.	Plug I	1	1620-67	1630-67	1640-67	S1620-67	S1630-67	S1640-67
68.	Plug II	1	1620-68	1630-68	1640-68	S1620-68	S1630-68	S1640-68
69.	Regular washer 15 (for wood construction)	6	1620-69	1630-69	1640-69	S1620-69	S1630-69	S1640-69
70.	Screw with mushroom head M6x16-4.8	2	1620-70	1630-70	1640-70	S1620-70	S1630-70	S1640-70
73.	Lubricating nipple C M8x1	1	1620-73	1630-73	1640-73	S1620-73	S1630-73	S1640-73
74.	Wing nut M6	1	1620-74	1630-74	1640-74	S1620-74	S1630-74	S1640-74
75.	Internal wrenching screw M8x20-8.8	1	1620-75	1630-75	1640-75	S1620-75	S1630-75	S1640-75
79.	Steel rivet □3.2x8	4	1620-79	1630-79	1640-79	S1620-79	S1630-79	S1640-79
79a	Steel rivet □3.2x8	8	1620-79	1630-79	1640-79	S1620-79	S1630-79	S1640-79
79b	Steel rivet □3.2x8	4	1620-79	1630-79	1640-79	S1620-79	S1630-79	S1640-79
80.	Handle	1	1620-80	1630-80	1640-80	S1620-80	S1630-80	S1640-80
81.	Flexible hose ST-160, l=535mm (21")	1	1620-81	1630-81	1640-81	S1620-81	S1630-81	S1640-81
82.	Gear clamp OST-160	6	1620-82	1630-82	1640-82	S1620-82	S1630-82	S1640-82
84.	Flexible hose ST-160 l=640mm (25")	1	1620-84	1630-84	1640-84	S1620-84	S1630-84	S1640-84
85.	Flexible hose ST-160 l=430mm (17")	1	1620-85	1630-85	1640-85	S1620-85	S1630-85	S1640-85
86.	Telescope clamp	1	1620-86	1630-86	1640-86	S1620-86	S1630-86	S1640-86
P1.	Joint's wheel 160	1	1620-P1	1630-P1	1640-P1	S1620-P1	S1630-P1	S1640-P1
P2.	Connector I	4	1620-P2	1630-P2	1640-P2	S1620-P2	S1630-P2	S1640-P2
P3.	Screw M8x20	12	1620-P3	1630-P3	1640-P3	S1620-P3	S1630-P3	S1640-P3
P4.	Self-locking nut M8	12	1620-P4	1630-P4	1640-P4	S1620-P4	S1630-P4	S1640-P4
P5.	Regular washer 8.4 C	12	1620-P5	1630-P5	1640-P5	S1620-P5	S1630-P5	S1640-P5
P7.	Friction insert φ30x8x6	4	1620-P7	1630-P7	1640-P7	S1620-P7	S1630-P7	S1640-P7
P8.	Reinforcing element IV	1	1620-P8	1630-P8	1640-P8	S1620-P8	S1630-P8	S1640-P8
P9.	Disk spring 12.5x6.2x1	8	1620-P9	1630-P9	1640-P9	S1620-P9	S1630-P9	S1640-P9



6" φ Standing Version

No	Description	Quantity	Arm model					
			1620P	1630P	1640P	S1620P	S1630P	S1640P
Article No.								
1.	Joint 1	1	1620P-1	1630P-1	1640P-1	S1620P-1	S1630P-1	S1640P-1
2.	Joint 2	1	1620P-2	1630P-2	1640P-2	S1620P-2	S1630P-2	S1640P-2
3.	Joint 3	1	1620P-3	1630P-3	1640P-3	S1620P-3	S1630P-3	S1640P-3
4.	Joint 4	1	1620P-4	1630P-4	1640P-4	S1620P-4	S1630P-4	S1640P-4
5.	Joint 5	1	1620P-5	1630P-5	1640P-5	S1620P-5	S1630P-5	S1640P-5
6.	Joint 6	1	1620P-6	1630P-6	1640P-6	S1620P-6	S1630P-6	S1640P-6
7.	Joint 7	1	1620P-7	1630P-7	1640P-7	S1620P-7	S1630P-7	S1640P-7
8.	Joint 8	1	1620P-8	1630P-8	1640P-8	S1620P-8	S1630P-8	S1640P-8
9.	Friction insert I 70	2	1620P-9	1630P-9	1640P-9	S1620P-9	S1630P-9	S1640P-9
10.	Friction insert II 60	2	1620P-10	1630P-10	1640P-10	S1620P-10	S1630P-10	S1640P-10
12.	Tube I 160	1	1620P-12	1630P-12	1640P-12	S1620P-12	S1630P-12	S1640P-12
13.	Tube II 160	1	1620P-13	1630P-13	1640P-13	S1620P-13	S1630P-13	S1640P-13
14.	Reinforcing element I 160	2	1620P-14	1630P-14	1640P-14	S1620P-14	S1630P-14	S1640P-14
15.	Reinforcing element II 160	1	1620P-15	1630P-15	1640P-15	S1620P-15	S1630P-15	S1640P-15
21.	Spring II, l=190	2	1620P-21	1630P-21	1640P-21	S1620P-21	S1630P-21	S1640P-21
22.	Outer sleeve 160	1	1620P-22	1630P-22	1640P-22	S1620P-22	S1630P-22	S1640P-22
23.	Inner sleeve 160	1	1620P-23	1630P-23	1640P-23	S1620P-23	S1630P-23	S1640P-23
25.	Orifice 160	1	1620P-25	1630P-25	1640P-25	S1620P-25	S1630P-25	S1640P-25
26.	Axis I	1	1620P-26	1630P-26	1640P-26	S1620P-26	S1630P-26	S1640P-26
27.	Axis II	1	1620P-27	1630P-27	1640P-27	S1620P-27	S1630P-27	S1640P-27
28.	Lever	1	1620P-28	1630P-28	1640P-28	S1620P-28	S1630P-28	S1640P-28
29.	Sleeve	2	1620P-29	1630P-29	1640P-29	S1620P-29	S1630P-29	S1640P-29
30.	Support plate	1	1620P-30	1630P-30	1640P-30	S1620P-30	S1630P-30	S1640P-30
31.	Screw with mushroom head M10x30-4.8	8	1620P-31	1630P-31	1640P-31	S1620P-31	S1630P-31	S1640P-31
32.	Nut M10-5-C	8	1620P-32	1630P-32	1640P-32	S1620P-32	S1630P-32	S1640P-32
33. a.	Regular washer 10.5	10	1620P-33a	1630P-33a	1640P-33a	S1620P-33a	S1630P-33a	S1640P-33a
34.	Spring washer Z10.2	8	1620P-34	1630P-34	1640P-34	S1620P-34	S1630P-34	S1640P-34
35.	Screw with mushroom head M8x30-4.8	8	1620P-45	1630P-45	1640P-45	S1620P-45	S1630P-45	S1640P-45
36.	Nut M8-5-C	9	1620P-36	1630P-36	1640P-36	S1620P-36	S1630P-36	S1640P-36
37.	Regular washer 8.2	1	1620P-37	1630P-37	1640P-37	S1620P-37	S1630P-37	S1640P-37
38.	Spring washer Z8.2	9	1620P-38	1630P-38	1640P-38	S1620P-38	S1630P-38	S1640P-38
41.	Spring washer Z6.1	2	1620P-41	1630P-41	1640P-41	S1620P-41	S1630P-41	S1640P-41
42.	Nut M6-5-C	2	1620P-42	1630P-42	1640P-42	S1620P-42	S1630P-42	S1640P-42
46.	Self-locking nut M14x1.5-5-B	4	1620P-46	1630P-46	1640P-46	S1620P-46	S1630P-46	S1640P-46
47.	Disk spring DI 60x14.5x3	4	1620P-47	1630P-47	1640P-47	S1620P-47	S1630P-47	S1640P-47
48.	Disk spring DI 50x14.5x2.2	4	1620P-48	1630P-48	1640P-48	S1620P-48	S1630P-48	S1640P-48
51.	Steel cable □3.5, l=450	1	1620P-51	1630P-51	1640P-51	S1620P-51	S1630P-51	S1640P-51
52.	Bow rope clamp 5	1	1620P-52	1630P-52	1640P-52	S1620P-52	S1630P-52	S1640P-52
53.	Screw M8x25-3.6-C	1	1620P-53	1630P-53	1640P-53	S1620P-53	S1630P-53	S1640P-53
54.	Self-locking nut M8-5-B	1	1620P-54	1630P-54	1640P-54	S1620P-54	S1630P-54	S1640P-54
55.	Clamping eye □10.5	1	1620P-55	1630P-55	1640P-55	S1620P-55	S1630P-55	S1640P-55



3501 Airport Rd. • Jonesboro, AR 72401
 870-933-8048, Ext. 7118 • Fax: 870-933-8380
 www.camfilfarr.com • email: filterman@camfilfarr.com
 800-479-6801 • Fax: 800-222-6891

57	Screw M14x1.5x60-8.8-B	2	1620P-57	1630P-57	1640P-57	S1620P-57	S1630P-57	S1640P-57
58	Screw M14x1.5x55-8.8-B	2	1620P-58	1630P-58	1640P-58	S1620P-58	S1630P-58	S1640P-58
60.	Hood ϕ 315/160	1	1620P-60	1630P-60	1640P-60	S1620P-60	S1630P-60	S1640P-60
61.	Handle 160	1	1620P-61	1630P-61	1640P-61	S1620P-61	S1630P-61	S1640P-61
62.	Light kit dome	1	1620P-62	1630P-62	1640P-62	S1620P-62	S1630P-62	S1640P-62
63.	Shutter of inlet 160	1	1620P-63	1630P-63	1640P-63	S1620P-63	S1630P-63	S1640P-63
64.	Wire seal GH6	1	1620P-64	1630P-64	1640P-64	S1620P-64	S1630P-64	S1640P-64
65.	Protecting plate	1	1620P-65	1630P-65	1640P-65	S1620P-65	S1630P-65	S1640P-65
66.	Screw WP M4x16	2	1620P-66	1630P-66	1640P-66	S1620P-66	S1630P-66	S1640P-66
67.	Plug I	1	1620P-67	1630P-67	1640P-67	S1620P-67	S1630P-67	S1640P-67
68.	Plug II	1	1620P-68	1630P-68	1640P-68	S1620P-68	S1630P-68	S1640P-68
69.	Regular washer 15 (for wood construction)	6	1620P-69	1630P-69	1640P-69	S1620P-69	S1630P-69	S1640P-69
70.	Screw with mushroom head M6x16-4.8	2	1620P-70	1630P-70	1640P-70	S1620P-70	S1630P-70	S1640P-70
73.	Lubricating nipple C M8x1	1	1620P-73	1630P-73	1640P-73	S1620P-73	S1630P-73	S1640P-73
74.	Wing nut M6	1	1620P-74	1630P-74	1640P-74	S1620P-74	S1630P-74	S1640P-74
75.	Internal wrenching screw M8x20-8.8	1	1620P-75	1630P-75	1640P-75	S1620P-75	S1630P-75	S1640P-75
79.	Steel rivet \square 3.2x8	4	1620P-79	1630P-79	1640P-79	S1620P-79	S1630P-79	S1640P-79
79. b.	Steel rivet \square 3.2x8	4	1620P-79	1630P-79	1640P-79	S1620P-79	S1630P-79	S1640P-79
80.	Handle	1	1620P-80	1630P-80	1640P-80	S1620P-80	S1630P-80	S1640P-80
81.	Flexible hose ST-160, l=535mm (21")	1	1620P-81	1630P-81	1640P-81	S1620P-81	S1630P-81	S1640P-81
82.	Gear clamp OST-160	6	1620P-82	1630P-82	1640P-82	S1620P-82	S1630P-82	S1640P-82
84.	Flexible hose ST-160 l=640mm (25")	1	1620P-84	1630P-84	1640P-84	S1620P-84	S1630P-84	S1640P-84
85.	Flexible hose ST-160 l=430mm (17")	1	1620P-85	1630P-85	1640P-85	S1620P-85	S1630P-85	S1640P-85
P1.	Joint's wheel 160	1	1620P-P1	1630P-P1	1640P-P1	S1620P-P1	S1630P-P1	S1640P-P1
P2.	Connector I	4	1620P-P2	1630P-P2	1640P-P2	S1620P-P2	S1630P-P2	S1640P-P2
P3.	Screw M8x20	12	1620P-P3	1630P-P3	1640P-P3	S1620P-P3	S1630P-P3	S1640P-P3
P4.	Self-locking nut M8	12	1620P-P4	1630P-P4	1640P-P4	S1620P-P4	S1630P-P4	S1640P-P4
P5.	Regular washer 8.4 C	12	1620P-P5	1630P-P5	1640P-P5	S1620P-P5	S1630P-P5	S1640P-P5
P7.	Friction insert ϕ 30x8x6	4	1620P-P7	1630P-P7	1640P-P7	S1620P-P7	S1630P-P7	S1640P-P7
P8.	Reinforcing element IV	1	1620P-P8	1630P-P8	1640P-P8	S1620P-P8	S1630P-P8	S1640P-P8
P9.	Disk spring 12.5x6.2x1	8	1620P-P9	1630P-P9	1640P-P9	S1620P-P9	S1630P-P9	S1640P-P9



8" ϕ – Hanging Version

No.	Description	Quantity	Arm Model					
			2020	2030	2040	S2020	S2030	S2040
Article No								
1.	Joint 13	1	2020-1	2030-1	2040-1	S2020-1	S2030-1	S2040-1
2.	Joint 14	1	2020-2	2030-2	2040-2	S2020-2	S2030-2	S2040-2
3.	Joint 15	1	2020-3	2030-3	2040-3	S2020-3	S2030-3	S2040-3
4.	Joint 16	1	2020-4	2030-4	2040-4	S2020-4	S2030-4	S2040-4
5.	Joint 13	1	2020-5	2030-5	2040-5	S2020-5	S2030-5	S2040-5
6.	Joint 14	1	2020-6	2030-6	2040-6	S2020-6	S2030-6	S2040-6
7.	Joint 15	1	2020-7	2030-7	2040-7	S2020-7	S2030-7	S2040-7
8.	Joint 16	1	2020-8	2030-8	2040-8	S2020-8	S2030-8	S2040-8
9.	Friction insert I 70	2	2020-9	2030-9	2040-9	S2020-9	S2030-9	S2040-9
10.	Friction insert II 60	2	2020-10	2030-10	2040-10	S2020-10	S2030-10	S2040-10
12.	Tube I 200	1	2020-10	2030-10	2040-10	S2020-10	S2030-10	S2040-10
13.	Tube II 200	1	2020-13	2030-13	2040-13	S2020-13	S2030-13	S2040-13
14.	Reinforcing element I 200	3	2020-14	2030-14	2040-14	S2020-14	S2030-14	S2040-14
16.	Reinforcing element III 200 (telescope)	1	-	-	2040-16	-	-	S2040-16
17.	Catch 1 36	1	2020-17	2030-17	2040-17	S2020-17	S2030-17	S2040-17
18.	Catch 2 32	1	2020-18	2030-18	2040-18	S2020-18	S2030-18	S2040-18
19.	Bracket I 200	1	2020-19	2030-19	2040-19	S2020-19	S2030-19	S2040-19
19. a.	Bracket II 200	1	2020-19a	2030-19a	2040-19a	S2020-19a	S2030-19a	S2040-19a
20.	Spring I, I=900	1	2020-20	2030-20	2040-20	S2020-20	S2030-20	S2040-20
22.	Outer sleeve 200	1	2020-22	2030-22	2040-22	S2020-22	S2030-22	S2040-22
24.	Inner sleeve 200	1	2020-24	2030-24	2040-24	S2020-24	S2030-24	S2040-24
25.	Orifice 200	1	2020-25	2030-25	2040-25	S2020-25	S2030-25	S2040-25
26.	Axle I	1	2020-26	2030-26	2040-26	S2020-26	S2030-26	S2040-26
27.	Axle II	1	2020-27	2030-27	2040-27	S2020-27	S2030-27	S2040-27
28.	Lever	1	2020-28	2030-28	2040-28	S2020-28	S2030-28	S2040-28
29.	Sleeve	2	2020-29	2030-29	2040-29	S2020-29	S2030-29	S2040-29
30.	Support plate	1	2020-30	2030-30	2040-30	S2020-30	S2030-30	S2040-30
31.	Screw with mushroom head M10x30-4.8	8	2020-31	2030-31	2040-31	S2020-31	S2030-31	S2040-31
32.	Nut M10-5-C	8	2020-32	2030-32	2040-32	S2020-32	S2030-32	S2040-32
33. a.	Regular washer 10.5	2	2020-33a	2030-33a	2040-33a	S2020-33a	S2030-33a	S2040-33a
34.	Spring washer Z10.2	8	2020-34	2030-34	2040-34	S2020-34	S2030-34	S2040-34
35.	Screw with mushroom head M10x30-4.8	8	2020-35	2030-35	2040-35	S2020-35	S2030-35	S2040-35
36.	Nut M10-5-C	9	2020-36	2030-36	2040-36	S2020-36	S2030-36	S2040-36
38.	Spring washer Z10.2	9	2020-38	2030-38	2040-38	S2020-38	S2030-38	S2040-38
39.	Screw M6x20-3.6-C	6	2020-39	2030-39	2040-39	S2020-39	S2030-39	S2040-39
40.	Regular washer 6.4	8	2020-40	2030-40	2040-40	S2020-40	S2030-40	S2040-40
41.	Spring washer Z6.1	9	2020-41	2030-41	2040-41	S2020-41	S2030-41	S2040-41
42.	Nut M6-5-C	8	2020-42	2030-42	2040-42	S2020-42	S2030-42	S2040-42
43.	Screw M6x25	2	2020-43	2030-43	2040-43	S2020-43	S2030-43	S2040-43
44.	Regular washer 6.4	2	2020-44	2030-44	2040-44	S2020-44	S2030-44	S2040-44



3501 Airport Rd. • Jonesboro, AR 72401
 870-933-8048, Ext. 7118 • Fax: 870-933-8380
 www.camfilfarr.com • email: filterman@camfilfarr.com
 800-479-6801 • Fax: 800-222-6891

44.a.	Regular washer 6.4	2	2020-44a	2030-44a	2040-44a	S2020-44a	S2030-44a	S2040-44a
45	Self-locking nut M6-5-C	2	2020-45	2030-45	2040-45	S2020-45	S2030-45	S2040-45
46.	Self-locking nut M14x1.5-5-B	4	2020-46	2030-46	2040-46	S2020-46	S2030-46	S2040-46
47.	Disk spring DI 60x14.5x3	4	2020-47	2030-47	2040-47	S2020-47	S2030-47	S2040-47
48.	Disk spring DI 50x14.5x2.2	4	2020-48	2030-48	2040-48	S2020-48	S2030-48	S2040-48
49.	Aluminium pipe 36x1, l=900	1	2020-49	2030-49	2040-49	S2020-49	S2030-49	S2040-49
50.	Aluminium pipe 32x1, l=900	1	2020-50	2030-50	2040-50	S2020-50	S2030-50	S2040-50
57.	Screw M14x1.5x60-8.8-B	2	2020-57	2030-57	2040-57	S2020-57	S2030-57	S2040-57
58.	Screw M14x1.5x55-8.8-B	2	2020-58	2030-58	2040-58	S2020-58	S2030-58	S2040-58
60.	Hood ϕ 350/200	1	2020-60	2030-60	2040-60	S2020-60	S2030-60	S2040-60
61.	Handle 200	1	2020-61	2030-61	2040-61	S2020-61	S2030-61	S2040-61
62.	Light kit dome	1	2020-62	2030-62	2040-62	S2020-62	S2030-62	S2040-62
63.	Shutter of inlet	1	2020-63	2030-63	2040-63	S2020-63	S2030-63	S2040-63
64.	Wire seal GH6	1	2020-64	2030-64	2040-64	S2020-64	S2030-64	S2040-64
65.	Protecting plate	1	2020-65	2030-65	2040-65	S2020-65	S2030-65	S2040-65
66.	Screw WP M4x16	2	2020-66	2030-66	2040-66	S2020-66	S2030-66	S2040-66
67.	Plug I	1	2020-67	2030-67	2040-67	S2020-67	S2030-67	S2040-67
68.	Plug II	1	2020-68	2030-68	2040-68	S2020-68	S2030-68	S2040-68
69.	Regular washer 15 (for wood construction)	6	2020-69	2030-69	2040-69	S2020-69	S2030-69	S2040-69
70.	Screw with mushroom head M6x16-4.8	2	2020-70	2030-70	2040-70	S2020-70	S2030-70	S2040-70
71.	Regular washer 6.4	1	2020-71	2030-71	2040-71	S2020-71	S2030-71	S2040-71
72.	Self-locking nut M6	1	2020-72	2030-72	2040-72	S2020-72	S2030-72	S2040-72
73.	Lubricating nipple C M8x1	1	2020-73	2030-73	2040-73	S2020-73	S2030-73	S2040-73
74.	Wing nut M6	1	2020-74	2030-74	2040-74	S2020-74	S2030-74	S2040-74
75.	Internal wrenching screw M8x20-8.8	1	2020-75	2030-75	2040-75	S2020-75	S2030-75	S2040-75
79.	Steel rivet 3.2x8	4	2020-79	2030-79	2040-79	S2020-79	S2030-79	S2040-79
79.a.	Steel rivet 3.2x8	8	2020-79	2030-79	2040-79	S2020-79	S2030-79	S2040-79
79.b.	Steel rivet 3.2x8	4	2020-79	2030-79	2040-79	S2020-79	S2030-79	S2040-79
80.	Handle	1	2020-80	2030-80	2040-80	S2020-80	S2030-80	S2040-80
81.	Flexible hose ST-200, l=610mm (24")	1	2020-81	2030-81	2040-81	S2020-81	S2030-81	S2040-81
82.	Gear clamp OST-200	6	2020-82	2030-82	2040-82	S2020-82	S2030-82	S2040-82
84.	Flexible hose ST-200 l=720mm (28")	1	2020-84	2030-84	2040-84	S2020-84	S2030-84	S2040-84
85.	Flexible hose ST-200 l=465mm (18")	1	2020-85	2030-85	2040-85	S2020-85	S2030-85	S2040-85
86.	Clamp – part I	1	2020-86	2030-86	2040-86	S2020-86	S2030-86	S2040-86
87.	Clamp – part II	1	2020-87	2030-87	2040-87	S2020-87	S2030-87	S2040-87
88.	Bolt M6x16	2	2020-88	2030-88	2040-88	S2020-88	S2030-88	S2040-88
89.	Bolt M8x6	1	2020-89	2030-89	2040-89	S2020-89	S2030-89	S2040-89
P1.	Joint's wheel 200	1	2020-P1	2030-P1	2040-P1	S2020-P1	S2030-P1	S2040-P1
P2.	Connector I	4	2020-P2	2030-P2	2040-P2	S2020-P2	S2030-P2	S2040-P2
P3.	Screw M8x20	12	2020-P3	2030-P3	2040-P3	S2020-P3	S2030-P3	S2040-P3
P4.	Self-locking nut M8	12	2020-P4	2030-P4	2040-P4	S2020-P4	S2030-P4	S2040-P4
P5.	Regular washer 8.4 C	12	2020-P5	2030-P5	2040-P5	S2020-P5	S2030-P5	S2040-P5
P7.	Friction insert ϕ 30x8x6	4	2020-P7	2030-P7	2040-P7	S2020-P7	S2030-P7	S2040-P7
P8.	Reinforcing element IV	1	2020-P8	2030-P8	2040-P8	S2020-P8	S2030-P8	S2040-P8
P9.	Disk spring 20x8x1.2	8	2020-P9	2030-P9	2040-P9	S2020-P9	S2030-P9	S2040-P9



8" Standing Version

No.	Description	Quantity	Arm model					
			2020P	2030P	2040P	S2020P	S2030P	S2040P
			Article No					
1	Joint 13	1	2020P-1	2030P-1	2040P-1	S2020P-1	S2030P-1	S2040P-1
2.	Joint 14	1	2020P-2	2030P-2	2040P-2	S2020P-2	S2030P-2	S2040P-2
3.	Joint 15	1	2020P-3	2030P-3	2040P-3	S2020P-3	S2030P-3	S2040P-3
4.	Joint 16	1	2020P-4	2030P-4	2040P-4	S2020P-4	S2030P-4	S2040P-4
5.	Joint 13	1	2020P-5	2030P-5	2040P-5	S2020P-5	S2030P-5	S2040P-5
6.	Joint 14	1	2020P-6	2030P-6	2040P-6	S2020P-6	S2030P-6	S2040P-6
7.	Joint 15	1	2020P-7	2030P-7	2040P-7	S2020P-7	S2030P-7	S2040P-7
8.	Joint 16	1	2020P-8	2030P-8	2040P-8	S2020P-8	S2030P-8	S2040P-8
9.	Friction insert I 70	2	2020P-9	2030P-9	2040P-9	S2020P-9	S2030P-9	S2040P-9
10.	Friction insert II 60	2	2020P-10	2030P-10	2040P-10	S2020P-10	S2030P-10	S2040P-10
12.	Tube I 200	1	2020P-12	2030P-12	2040P-12	S2020P-12	S2030P-12	S2040P-12
13.	Tube II 200	1	2020P-13	2030P-13	2040P-13	S2020P-13	S2030P-13	S2040P-13
14.	Reinforcing element I 200	2	2020P-14	2030P-14	2040P-14	S2020P-14	S2030P-14	S2040P-14
15.	Reinforcing element II 200	1	2020P-15	2030P-15	2040P-15	S2020P-15	S2030P-15	S2040P-15
21.	Spring II l=190	2	2020P-21	2030P-21	2040P-21	S2020P-21	S2030P-21	S2040P-21
22.	Outer sleeve 200	1	2020P-22	2030P-22	2040P-22	S2020P-22	S2030P-22	S2040P-22
23.	Inner sleeve 200	1	2020P-23	2030P-23	2040P-23	S2020P-23	S2030P-23	S2040P-23
25.	Orifice 200	1	2020P-25	2030P-25	2040P-25	S2020P-25	S2030P-25	S2040P-25
26.	Axis I	1	2020P-26	2030P-26	2040P-26	S2020P-26	S2030P-26	S2040P-26
27.	Axis II	1	2020P-27	2030P-27	2040P-27	S2020P-27	S2030P-27	S2040P-27
28.	Lever	1	2020P-28	2030P-28	2040P-28	S2020P-28	S2030P-28	S2040P-28
29.	Sleeve	2	2020P-29	2030P-29	2040P-29	S2020P-29	S2030P-29	S2040P-29
30.	Support plate	1	2020P-30	2030P-30	2040P-30	S2020P-30	S2030P-30	S2040P-30
31.	Screw with mushroom head M10x30-4.8	8	2020P-31	2030P-31	2040P-31	S2020P-31	S2030P-31	S2040P-31
32.	Nut M10-5-C	8	2020P-32	2030P-32	2040P-32	S2020P-32	S2030P-32	S2040P-32
33. a.	Regular washer 10.5	10	2020P-33a	2030P-33a	2040P-33a	S2020P-33a	S2030P-33a	S2040P-33a
34.	Spring washer Z10.2	8	2020P-34	2030P-34	2040P-34	S2020P-34	S2030P-34	S2040P-34
35.	Screw with mushroom head M10x30-4.8	8	2020P-45	2030P-45	2040P-45	S2020P-45	S2030P-45	S2040P-45
36.	Nut M10-5-C	9	2020P-36	2030P-36	2040P-36	S2020P-36	S2030P-36	S2040P-36
37.	Regular washer 10.5	1	2020P-37	2030P-37	2040P-37	S2020P-37	S2030P-37	S2040P-37
38.	Spring washer Z10.2	9	2020P-38	2030P-38	2040P-38	S2020P-38	S2030P-38	S2040P-38
41.	Spring washer Z6.1	2	2020P-41	2030P-41	2040P-41	S2020P-41	S2030P-41	S2040P-41
42.	Nut M6-5-C	2	2020P-42	2030P-42	2040P-42	S2020P-42	S2030P-42	S2040P-42
46.	Self-locking nut M14x1.5-5-B	4	2020P-46	2030P-46	2040P-46	S2020P-46	S2030P-46	S2040P-46
47.	Disk spring DI 60x14.5x3	4	2020P-47	2030P-47	2040P-47	S2020P-47	S2030P-47	S2040P-47
48.	Disk spring DI 50x14.5x2.2	4	2020P-48	2030P-48	2040P-48	S2020P-48	S2030P-48	S2040P-48
51.	Steel cable 3.5, l=450	1	2020P-51	2030P-51	2040P-51	S2020P-51	S2030P-51	S2040P-51
52.	Bow rope clamp 5	1	2020P-52	2030P-52	2040P-52	S2020P-52	S2030P-52	S2040P-52



3501 Airport Rd. • Jonesboro, AR 72401
 870-933-8048, Ext. 7118 • Fax: 870-933-8380
 www.camfilfarr.com • email: filterman@camfilfarr.com
 800-479-6801 • Fax: 800-222-6891

53.	Screw M8x25-3.6-C	1	2020P-53	2030P-53	2040P-53	S2020P-53	S2030P-53	S2040P-53
54.	Self-locking nut M8-5-B	1	2020P-54	2030P-54	2040P-54	S2020P-54	S2030P-54	S2040P-54
55.	Clamping eye 10.5	1	2020P-55	2030P-55	2040P-55	S2020P-55	S2030P-55	S2040P-55
57.	Screw M14x1.5x60-8.8-B	2	2020P-57	2030P-57	2040P-57	S2020P-57	S2030P-57	S2040P-57
58.	Screw M14x1.5x55-8.8-B	2	2020P-58	2030P-58	2040P-58	S2020P-58	S2030P-58	S2040P-58
60.	Hood ϕ 350/200	1	2020P-60	2030P-60	2040P-60	S2020P-60	S2030P-60	S2040P-60
61.	Handle 200	1	2020P-61	2030P-61	2040P-61	S2020P-61	S2030P-61	S2040P-61
62.	Light kit dome	1	2020P-62	2030P-62	2040P-62	S2020P-62	S2030P-62	S2040P-62
63.	Shutter of inlet 200	1	2020P-63	2030P-63	2040P-63	S2020P-63	S2030P-63	S2040P-63
64.	Wire seal GH6	1	2020P-64	2030P-64	2040P-64	S2020P-64	S2030P-64	S2040P-64
65.	Protecting plate	1	2020P-65	2030P-65	2040P-65	S2020P-65	S2030P-65	S2040P-65
66.	Screw WP M4x16	2	2020P-66	2030P-66	2040P-66	S2020P-66	S2030P-66	S2040P-66
67.	Plug I	1	2020P-67	2030P-67	2040P-67	S2020P-67	S2030P-67	S2040P-67
68.	Plug II	1	2020P-68	2030P-68	2040P-68	S2020P-68	S2030P-68	S2040P-68
69.	Regular washer 15 (for wood construction)	6	2020P-69	2030P-69	2040P-69	S2020P-69	S2030P-69	S2040P-69
70.	Screw with mushroom head M6x16-4.8	2	2020P-70	2030P-70	2040P-70	S2020P-70	S2030P-70	S2040P-70
73.	Lubricating nipple C M8x1	1	2020P-73	2030P-73	2040P-73	S2020P-73	S2030P-73	S2040P-73
74.	Wing nut M6	1	2020P-74	2030P-74	2040P-74	S2020P-74	S2030P-74	S2040P-74
75.	Internal wrenching screw M8x20-8.8	1	2020P-75	2030P-75	2040P-75	S2020P-75	S2030P-75	S2040P-75
79.	Steel rivet 3.2x8	4	2020P-79	2030P-79	2040P-79	S2020P-79	S2030P-79	S2040P-79
79. b.	Steel rivet 3.2x8	4	2020P-79	2030P-79	2040P-79	S2020P-79	S2030P-79	S2040P-79
80.	Handle	1	2020P-80	2030P-80	2040P-80	S2020P-80	S2030P-80	S2040P-80
81.	Flexible hose ST-200, l=610mm (24")	1	2020P-81	2030P-81	2040P-81	S2020P-81	S2030P-81	S2040P-81
82.	Gear clamp OST-200	6	2020P-82	2030P-82	2040P-82	S2020P-82	S2030P-82	S2040P-82
84.	Flexible hose ST-200 l=720mm (28")	1	2020P-84	2030P-84	2040P-84	S2020P-84	S2030P-84	S2040P-84
85.	Flexible hose ST-200 l=465mm (18")	1	2020P-85	2030P-85	2040P-85	S2020P-85	S2030P-85	S2040P-85
P1.	Joint's wheel 200	1	2020P-P1	2030P-P1	2040P-P1	S2020P-P1	S2030P-P1	S2040P-P1
P2.	Connector I	4	2020P-P2	2030P-P2	2040P-P2	S2020P-P2	S2030P-P2	S2040P-P2
P3.	Screw M8x20	12	2020P-P3	2030P-P3	2040P-P3	S2020P-P3	S2030P-P3	S2040P-P3
P4.	Self-locking nut M8	12	2020P-P4	2030P-P4	2040P-P4	S2020P-P4	S2030P-P4	S2040P-P4
P5.	Regular washer 8.4 C	12	2020P-P5	2030P-P5	2040P-P5	S2020P-P5	S2030P-P5	S2040P-P5
P7.	Friction insert ϕ 30x8x6	4	2020P-P7	2030P-P7	2040P-P7	S2020P-P7	S2030P-P7	S2040P-P7
P8.	Reinforcing element IV	1	2020P-P8	2030P-P8	2040P-P8	S2020P-P8	S2030P-P8	S2040P-P8
P9.	Disk spring 20x8x1.2	8	2020P-P9	2030P-P9	2040P-P9	S2020P-P9	S2030P-P9	S2040P-P9



4" φ Hanging Version

No.	Description	Quantity	Arm model					
			1015	1020	1025	S1015	S1020	S1025
			Article No					
1.	Joint 17	1	1015-1	1020-1	1025-1	S1015-1	S1020-1	S1025-1
2.	Joint 18	1	1015-2	1020-2	1025-2	S1015-2	S1020-2	S1025-2
3.	Joint 19	1	1015-3	1020-3	1025-3	S1015-3	S1020-3	S1025-3
4.	Joint 20	1	1015-4	1020-4	1025-4	S1015-4	S1020-4	S1025-4
5.	Joint 17	1	1015-5	1020-5	1025-5	S1015-5	S1020-5	S1025-5
6.	Joint 18	1	1015-6	1020-6	1025-6	S1015-6	S1020-6	S1025-6
7.	Joint 19	1	1015-7	1020-7	1025-7	S1015-7	S1020-7	S1025-7
8.	Joint 20	1	1015-8	1020-8	1025-8	S1015-8	S1020-8	S1025-8
9.	Friction insert 36x8	2	1015-9	1020-9	1025-9	S1015-9	S1020-9	S1025-9
10.	Friction insert 36x8	2	1015-10	1020-10	1025-10	S1015-10	S1020-10	S1025-10
12.	Tube I 100	1	1015-12	1020-12	1025-12	S1015-12	S1020-12	S1025-12
13.	Tube II 100	1	1015-13	1020-13	1025-13	S1015-13	S1020-13	S1025-13
15.	Reinforcing element II 100	-	-	-	-	-	-	-
16.	Reinforcing element III 100	1	1015-16	1020-16	1025-16	S1015-16	S1020-16	S1025-16
17.	Catch 1 100	1	1015-17	1020-17	1025-17	S1015-17	S1020-17	S1025-17
18.	Catch 2 100	1	1015-18	1020-18	1025-18	S1015-18	S1020-18	S1025-18
19.	Bracket	2	1015-19	1020-19	1025-19	S1015-19	S1020-19	S1025-19
20.	Spring I	1	1015-20	1020-20	1025-20	S1015-20	S1020-20	S1025-20
21.	Spring II	-	-	-	-	-	-	-
22.	Outer sleeve 100	1	1015-22	1020-22	1025-22	S1015-22	S1020-22	S1025-22
23.	Inner sleeve 100	-	-	-	-	-	-	-
24.	Inner sleeve 100	1	1015-24	1020-24	1025-24	S1015-24	S1020-24	S1025-24
25.	Orifice 100	1	1015-25	1020-25	1025-25	S1015-25	S1020-25	S1025-25
26.	Axle I	1	1015-26	1020-26	1025-26	S1015-26	S1020-26	S1025-26
27.	Axle II	1	1015-27	1020-27	1025-27	S1015-27	S1020-27	S1025-27
28.	Lever	1	1015-28	1020-28	1025-28	S1015-28	S1020-28	S1025-28
29.	Sleeve	2	1015-29	1020-29	1025-29	S1015-29	S1020-29	S1025-29
30.	Support plate	1	1015-30	1020-30	1025-30	S1015-30	S1020-30	S1025-30
31.	Screw with mushroom head M6x16-5.8	8	1015-31	1020-31	1025-31	S1015-31	S1020-31	S1025-31
32.	Nut M6-5-C	8	1015-32	1020-32	1025-32	S1015-32	S1020-32	S1025-32
33.	Regular washer 6.4	8	1015-33	1020-33	1025-33	S1015-33	S1020-33	S1025-33
33.a.	Regular washer 10.5	2	1015-33a	1020-33a	1025-33a	S1015-33a	S1020-33a	S1025-33a
34.	Spring washer Z6.1	8	1015-34	1020-34	1025-34	S1015-34	S1020-34	S1025-34
35.	Screw with mushroom head M6x16-5.8	8	1015-35	1020-35	1025-35	S1015-35	S1020-35	S1025-35
36.	Nut M6-5-C	9	1015-36	1020-36	1025-36	S1015-36	S1020-36	S1025-36
37.	Regular washer 6.4	9	1015-37	1020-37	1025-37	S1015-37	S1020-37	S1025-37
38.	Spring washer Z6.1	9	1015-38	1020-38	1025-38	S1015-38	S1020-38	S1025-38
39.	Screw M6x16-5.8-C	4	1015-39	1020-39	1025-39	S1015-39	S1020-39	S1025-39
40.	Regular washer 6.4	6	1015-40	1020-40	1025-40	S1015-40	S1020-40	S1025-40
41.	Spring washer Z6.1	5	1015-41	1020-41	1025-41	S1015-41	S1020-41	S1025-41
42.	Nut M6-5-C	4	1015-42	1020-42	1025-42	S1015-42	S1020-42	S1025-42
43.	Bolt M6x25	2	1015-43	1020-43	1025-43	S1015-43	S1020-43	S1025-43
44.a.	Regular washer 6.4	2	1015-44a	1020-44a	1025-44a	S1015-44a	S1020-44a	S1025-44a
45.	Self-locking nut M6	2	1015-45	1020-45	1025-45	S1015-45	S1020-45	S1025-45



3501 Airport Rd. • Jonesboro, AR 72401
 870-933-8048, Ext. 7118 • Fax: 870-933-8380
 www.camfilfarr.com • email: filterman@camfilfarr.com
 800-479-6801 • Fax: 800-222-6891

46.	Self-locking nut M10	4	1015-46	1020-46	1025-46	S1015-46	S1020-46	S1025-46
47.	Disk spring DI 20x10.2x1.2	4	1015-47	1020-47	1025-47	S1015-47	S1020-47	S1025-47
48.	Disk spring DI 20x10.2x1.2	4	1015-48	1020-48	1025-48	S1015-48	S1020-48	S1025-48
49.	Aluminum pipe x1	1	1015-49	1020-49	1025-49	S1015-49	S1020-49	S1025-49
50.	Aluminum pipe 24x1	1	1015-50	1020-50	1025-50	S1015-50	S1020-50	S1025-50
57.	Screw M10x30-5.8	2	1015-57	1020-57	1025-57	S1015-57	S1020-57	S1025-57
58.	Screw M10x30-5.8	2	1015-58	1020-58	1025-58	S1015-58	S1020-58	S1025-58
60.	Hood ϕ 200/100	1	1015-60	1020-60	1025-60	S1015-60	S1020-60	S1025-60
61.	Handle 100	1	1015-61	1020-61	1025-61	S1015-61	S1020-61	S1025-61
62.	Light kit dome	1	1015-62	1020-62	1025-62	S1015-62	S1020-62	S1025-62
63.	Shutter of inlet 100	1	1015-63	1020-63	1025-63	S1015-63	S1020-63	S1025-63
64.	Wire seal GH6	1	1015-64	1020-64	1025-64	S1015-64	S1020-64	S1025-64
65.	Protecting plate	1	1015-65	1020-65	1025-65	S1015-65	S1020-65	S1025-65
66.	Screw WP M4x16	2	1015-66	1020-66	1025-66	S1015-66	S1020-66	S1025-66
68.	Plug II	1	1015-68	1020-68	1025-68	S1015-68	S1020-68	S1025-68
69.	Regular washer 10.5	8	1015-69	1020-69	1025-69	S1015-69	S1020-69	S1025-69
73.	Lubricating nipple C M8x1	1	1015-73	1020-73	1025-73	S1015-73	S1020-73	S1025-73
74.	Wing nut M6	1	1015-74	1020-74	1025-74	S1015-74	S1020-74	S1025-74
75.	Internal wrenching screw M6x12	1	1015-75	1020-75	1025-75	S1015-75	S1020-75	S1025-75
76.	Regular washer 6.4	1	1015-76	1020-76	1025-76	S1015-76	S1020-76	S1025-76
79.a.	Steel rivet 3.2x8	6	1015-79	1020-79	1025-79	S1015-79	S1020-79	S1025-79
79.b.	Steel rivet 3.2x8	4	1015-79	1020-79	1025-79	S1015-79	S1020-79	S1025-79
81.	Flexible hose ST-100, l=390	1	1015-81	1020-81	1025-81	S1015-81	S1020-81	S1025-81
82.	Band clip OST-100	6	1015-82	1020-82	1025-82	S1015-82	S1020-82	S1025-82
84.	Flexible hose ST-100, l=390	1	1015-84	1020-84	1025-84	S1015-84	S1020-84	S1025-84
85.	Flexible hose ST-100, l=320	1	1015-85	1020-85	1025-85	S1015-85	S1020-85	S1025-85
86.	Telescope clamp	1	1015-86	1020-86	1025-86	S1015-86	S1020-86	S1025-86
P1.	Joint's wheel 100	1	1015-P1	1020-P1	1025-P1	S1015-P1	S1020-P1	S1025-P1
P2.	Connector III	4	1015-P2	1020-P2	1025-P2	S1015-P2	S1020-P2	S1025-P2
P3.	Screw M6x16	12	1015-P3	1020-P3	1025-P3	S1015-P3	S1020-P3	S1025-P3
P4.	Self-locking nut M6	12	1015-P4	1020-P4	1025-P4	S1015-P4	S1020-P4	S1025-P4
P5.	Regular washer 6.4 C	12	1015-P5	1020-P5	1025-P5	S1015-P5	S1020-P5	S1025-P5
P7.	Friction insert 22x6x6	4	1015-P7	1020-P7	1025-P7	S1015-P7	S1020-P7	S1025-P7
P8.	Reinforcing element IV	1	1015-P8	1020-P8	1025-P8	S1015-P8	S1020-P8	S1025-P8
P9.	Disk spring 12.5x6.2x1	8	1015-P9	1020-P9	1025-P9	S1015-P9	S1020-P9	S1025-P9



4" φ Standing Version

No.	Description	Quantity	Arm model					
			1015P	1020P	1025P	S1015P	S1020P	S1025P
Article No								
1.	Joint 17	1	1015P-1	1020P-1	1025P-1	S1015P-1	S1020P-1	S1025P-1
2.	Joint 18	1	1015P-2	1020P-2	1025P-2	S1015P-2	S1020P-2	S1025P-2
3.	Joint 19	1	1015P-3	1020P-3	1025P-3	S1015P-3	S1020P-3	S1025P-3
4.	Joint 20	1	1015P-4	1020P-4	1025P-4	S1015P-4	S1020P-4	S1025P-4
5.	Joint 17	1	1015P-5	1020P-5	1025P-5	S1015P-5	S1020P-5	S1025P-5
6.	Joint 18	1	1015P-6	1020P-6	1025P-6	S1015P-6	S1020P-6	S1025P-6
7.	Joint 19	1	1015P-7	1020P-7	1025P-7	S1015P-7	S1020P-7	S1025P-7
8.	Joint 20	1	1015P-8	1020P-8	1025P-8	S1015P-8	S1020P-8	S1025P-8
9.	Friction insert 36x8	2	1015P-9	1020P-9	1025P-9	S1015P-9	S1020P-9	S1025P-9
10.	Friction insert 36x8	2	1015P-10	1020P-10	1025P-10	S1015P-10	S1020P-10	S1025P-10
12.	Tube I 100	1	1015P-12	1020P-12	1025P-12	S1015P-12	S1020P-12	S1025P-12
13.	Tube II 100	1	1015P-13	1020P-13	1025P-13	S1015P-13	S1020P-13	S1025P-13
15.	Reinforcing element II 100	1	1015P-15	1020P-15	1025P-15	S1015P-15	S1020P-15	S1025P-15
21.	Spring II	1	1015P-21	1020P-21	1025P-21	S1015P-21	S1020P-21	S1025P-21
22.	Outer sleeve 100	1	1015P-22	1020P-22	1025P-22	S1015P-22	S1020P-22	S1025P-22
23.	Inner sleeve 100	1	1015P-23	1020P-23	1025P-23	S1015P-23	S1020P-23	S1025P-23
25.	Orifice 100	1	1015P-25	1020P-25	1025P-25	S1015P-25	S1020P-25	S1025P-25
26.	Axle I	1	1015P-26	1020P-26	1025P-26	S1015P-26	S1020P-26	S1025P-26
27.	Axle II	1	1015P-27	1020P-27	1025P-27	S1015P-27	S1020P-27	S1025P-27
28.	Lever	1	1015P-28	1020P-28	1025P-28	S1015P-28	S1020P-28	S1025P-28
29.	Sleeve	2	1015P-29	1020P-29	1025P-29	S1015P-29	S1020P-29	S1025P-29
30.	Support plate	1	1015P-30	1020P-30	1025P-30	S1015P-30	S1020P-30	S1025P-30
31.	Screw with mushroom head M6x16-5.8	8	1015P-31	1020P-31	1025P-31	S1015P-31	S1020P-31	S1025P-31
32.	Nut M6-5-C	8	1015P-32	1020P-32	1025P-32	S1015P-32	S1020P-32	S1025P-32
33.	Regular washer 6.4	8	1015P-33	1020P-33	1025P-33	S1015P-33	S1020P-33	S1025P-33
33. a.	Regular washer 10.5	2	1015P-33a	1020P-33a	1025P-33a	S1015P-33a	S1020P-33a	S1025P-33a
34.	Spring washer Z6.1	8	1015P-34	1020P-34	1025P-34	S1015P-34	S1020P-34	S1025P-34
35.	Screw with mushroom head M6x16-5.8	8	1015P-35	1020P-35	1025P-35	S1015P-35	S1020P-35	S1025P-35
36.	Nut M6-5-C	9	1015P-36	1020P-36	1025P-36	S1015P-36	S1020P-36	S1025P-36
37.	Regular washer 6.4	8	1015P-37	1020P-37	1025P-37	S1015P-37	S1020P-37	S1025P-37
38.	Spring washer Z6.1	8	1015P-38	1020P-38	1025P-38	S1015P-38	S1020P-38	S1025P-38
46.	Self-locking nut M10	4	1015P-46	1020P-46	1025P-46	S1015P-46	S1020P-46	S1025P-46
47.	Disk spring DI 20x10.2x1	4	1015P-47	1020P-47	1025P-47	S1015P-47	S1020P-47	S1025P-47
48.	Disk spring DI 20x10.2x1	4	1015P-48	1020P-48	1025P-48	S1015P-48	S1020P-48	S1025P-48
57.	Screw M10x30-5.8	2	1015P-57	1020P-57	1025P-57	S1015P-57	S1020P-57	S1025P-57
58.	Screw M10x30-5.8	2	1015P-58	1020P-58	1025P-58	S1015P-58	S1020P-58	S1025P-58
60.	Hood φ200/100	1	1015P-60	1020P-60	1025P-60	S1015P-60	S1020P-60	S1025P-60
61.	Handle 100	1	1015P-61	1020P-61	1025P-61	S1015P-61	S1020P-61	S1025P-61
62.	Light kit dome	1	1015P-62	1020P-62	1025P-62	S1015P-62	S1020P-62	S1025P-62
63.	Shutter of inlet 100	1	1015P-63	1020P-63	1025P-63	S1015P-63	S1020P-63	S1025P-63
64.	Wire seal GH6	1	1015P-64	1020P-64	1025P-64	S1015P-64	S1020P-64	S1025P-64
65.	Protecting plate	1	1015P-65	1020P-65	1025P-65	S1015P-65	S1020P-65	S1025P-65



3501 Airport Rd. • Jonesboro, AR 72401
 870-933-8048, Ext. 7118 • Fax: 870-933-8380
 www.camfilfarr.com • email: filterman@camfilfarr.com
 800-479-6801 • Fax: 800-222-6891

66.	Screw WP M4x16	2	1015P-66	1020P-66	1025P-66	S1015P-66	S1020P-66	S1025P-66
68.	Plug II	1	1015P-68	1020P-68	1025P-68	S1015P-68	S1020P-68	S1025P-68
69.	Regular washer 10.5	8	1015P-69	1020P-69	1025P-69	S1015P-69	S1020P-69	S1025P-69
73.	Lubricating nipple C M8x1	1	1015P-73	1020P-73	1025P-73	S1015P-73	S1020P-73	S1025P-73
74.	Wing nut M6	1	1015P-74	1020P-74	1025P-74	S1015P-74	S1020P-74	S1025P-74
75.	Internal wrenching screw M6x12	1	1015P-75	1020P-75	1025P-75	S1015P-75	S1020P-75	S1025P-75
76.	Regular washer 6.4	1	1015P-76	1020P-76	1025P-76	S1015P-76	S1020P-76	S1025P-76
79. a.	Steel rivet □3.2x8	6	1015P-79	1020P-79	1025P-79	S1015P-79	S1020P-79	S1025P-79
81.	Flexible hose ST-100, l=390	1	1015P-81	1020P-81	1025P-81	S1015P-81	S1020P-81	S1025P-81
82.	Band clip OST-100	6	1015P-82	1020P-82	1025P-82	S1015P-82	S1020P-82	S1025P-82
84.	Flexible hose ST-100, l=390	1	1015P-84	1020P-84	1025P-84	S1015P-84	S1020P-84	S1025P-84
85.	Flexible hose ST-100, l=320	1	1015P-85	1020P-85	1025P-85	S1015P-85	S1020P-85	S1025P-85
P1.	Joint's wheel 100	1	1015P-P1	1020P-P1	1025P-P1	S1015P-P1	S1020P-P1	S1025P-P1
P2.	Connector III	4	1015P-P2	1020P-P2	1025P-P2	S1015P-P2	S1020P-P2	S1025P-P2
P3.	Screw M6x16	12	1015P-P3	1020P-P3	1025P-P3	S1015P-P3	S1020P-P3	S1025P-P3
P4.	Self-locking nut M6	12	1015P-P4	1020P-P4	1025P-P4	S1015P-P4	S1020P-P4	S1025P-P4
P5.	Regular washer 6.4 C	12	1015P-P5	1020P-P5	1025P-P5	S1015P-P5	S1020P-P5	S1025P-P5
P7.	Friction insert 22x6x6	4	1015P-P7	1020P-P7	1025P-P7	S1015P-P7	S1020P-P7	S1025P-P7
P8.	Reinforcing element IV	1	1015P-P8	1020P-P8	1025P-P8	S1015P-P8	S1020P-P8	S1025P-P8
P9.	Disk spring 12.5x6.2x1	8	1015P-P9	1020P-P9	1025P-P9	S1015P-P9	S1020P-P9	S1025P-P9



3501 Airport Rd. • Jonesboro, AR 72401
 870-933-8048, Ext. 7118 • Fax: 870-933-8380
 www.camfilfarr.com • email: filterman@camfilfarr.com
 800-479-6801 • Fax: 800-222-6891

3" Standing and Hanging Version

No.	Description	Quantity	Arm Model					
			7510	7515	7510P	7515P		
			Article No.					
1.	Joint 21	1	7510-1	7515-1	7510P-1	7515P-1		
2.	Joint 22	1	7510-2	7515-2	7510P-2	7515P-2		
3.	Joint 23	1	7510-3	7515-3	7510P-3	7515P-3		
4.	Joint 24	1	7510-4	7515-4	7510P-4	7515P-4		
5.	Joint 21	1	7510-5	7515-5	7510P-5	7515P-5		
6.	Joint 22	1	7510-6	7515-6	7510P-6	7515P-6		
7.	Joint 23	1	7510-7	7515-7	7510P-7	7515P-7		
8.	Joint 24	1	7510-8	7515-8	7510P-8	7515P-8		
9.	Friction insert ϕ 36x8	2	7510-9	7515-9	7510P-9	7515P-9		
10.	Friction insert ϕ 36x8	2	7510-10	7515-10	7510P-10	7515P-10		
12.	Tube I 76	1	7510-12	7515-12	7510P-12	7515P-12		
13.	Tube II 76	1	7510-13	7515-13	7510P-13	7515P-13		
14.	Reinforcing element I 76	3	7510-14	7515-14	7510P-14	7515P-14		
21.	Inner sleeve 76	1	7510-21	7515-21	7510P-21	7515P-21		
22.	Outer sleeve 76	1	7510-22	7515-22	7510P-22	7515P-22		
25.	Orifice 76	1	7510-25	7515-25	7510P-25	7515P-25		
26.	Axle I	1	7510-26	7515-26	7510P-26	7515P-26		
27.	Axle II	1	7510-27	7515-27	7510P-27	7515P-27		
28.	Lever	1	7510-28	7515-28	7510P-28	7515P-28		
29.	Sleeve	2	7510-29	7515-29	7510P-29	7515P-29		
30.	Support plate	1	7510-30	7515-30	7510P-30	7515P-30		
31.	Screw with mushroom head M6x16	8	7510-31	7515-31	7510P-31	7515P-31		
32.	Self-locking nut M6	8	7510-32	7515-32	7510P-32	7515P-32		
33.a.	Regular washer 10.5	2	7510-33a	7515-33a	7510P-33a	7515P-33a		
34.	Regular washer 6.4	8	7510-34	7515-34	7510P-34	7515P-34		
35.	Screw with mushroom head M6x16	8	7510-35	7515-35	7510P-35	7515P-35		
36.	Self-locking nut M6	8	7510-36	7515-36	7510P-36	7515P-36		
38.	Spring washer Z6.1	8	7510-38	7515-38	7510P-38	7515P-38		
46.	Nut M8	4	7510-46	7515-46	7510P-46	7515P-46		
47.	Disk spring 20x8.2x1.2	2	7510-47	7515-47	7510P-47	7515P-47		
48.	Disk spring 20x8.2x1.2	2	7510-48	7515-48	7510P-48	7515P-48		
57.	Knob nut M8	2	7510-57	7515-57	7510P-57	7515P-57		
58.	Knob nut M8	2	7510-58	7515-58	7510P-58	7515P-58		
60.	Hood ϕ 160/76	1	7510-60	7515-60	7510P-60	7515P-60		
61.	Handle 76	1	7510-61	7515-61	7510P-61	7515P-61		
62.	Light kit dome	1	7510-62	7515-62	7510P-62	7515P-62		
64.	Wire seal GH6	1	7510-64	7515-64	7510P-64	7515P-64		
65.	Protecting plate	1	7510-65	7515-65	7510P-65	7515P-65		
66.	Screw WP M4x16	2	7510-66	7515-66	7510P-66	7515P-66		
68.	Plug II	1	7510-68	7515-68	7510P-68	7515P-68		
69.	Regular washer 8.4	8	7510-69	7515-69	7510P-69	7515P-69		
73.	Lubricating nipple C M8x1	1	7510-73	7515-73	7510P-73	7515P-73		
74.	Wing nut M6	1	7510-74	7515-74	7510P-74	7515P-74		
75.	Slotted set screw with full dog point M8x1x25	1	7510-75	7515-75	7510P-75	7515P-75		
76.	Regular washer 6.4	1	7510-76	7515-76	7510P-76	7515P-76		
79.a.	Steel rivet \square 3.2x6	2	7510-79a	7515-79a	7510P-79a	7515P-79a		



3501 Airport Rd. • Jonesboro, AR 72401
 870-933-8048, Ext. 7118 • Fax: 870-933-8380
 www.camfilfarr.com • email: filterman@camfilfarr.com
 800-479-6801 • Fax: 800-222-6891

79.b.	Steel rivet □3.2x14	2	7510-79b	7515-79b	7510P-79b	7515P-79b		
81.	Flexible hose 80, l=200	1	7510-81	7515-81	7510P-81	7515P-81		
82.	Band clip OST-80	6	7510-82	7515-82	7510P-82	7515P-82		
84.	Flexible hose 80, l=200	1	7510-84	7515-84	7510P-84	7515P-84		
85.	Flexible hose 80, l=320	1	7510-85	7515-85	7510P-85	7515P-85		
90.	Collar	1	7510-90	7515-90	7510P-90	7515P-90		
91.	Screw WP M4x16-KB	1	7510-91	7515-91	7510P-91	7515P-91		
P1.	Joint's wheel 76	1	7510-P1	7515-P1	7510P-P1	7515P-P1		
P2.	Connector II	4	7510-P2	7515-P2	7510P-P2	7515P-P2		
P3.a.	Screw M6x16	8	7510-P3a	7515-P3a	7510P-P3a	7515P-P3a		
P3.b.	Screw M6x22	4	7510-P3b	7515-P3b	7510P-P3b	7515P-P3b		
P4.	Self-locking nut M6	12	7510-P4	7515-P4	7510P-P4	7515P-P4		
P5.	Regular washer 6.4 C	12	7510-P5	7515-P5	7510P-P5	7515P-P5		
P6.	Spring washer 6.1	4	7510-P6	7515-P6	7510P-P6	7515P-P6		
P7.	Friction insert 22x6x6	4	7510-P7	7515-P7	7510P-P7	7515P-P7		
P8.	Reinforcing element IV	1	7510-P8	7515-P8	7510P-P8	7515P-P8		
P9.	Disk spring 12.5x6.2x1	8	7510-P9	7515-P9	7510P-P9	7515P-P9		