

GOLD SERIES GS-MINI™

Single Cartridge Dust Collector

Mini Solution for Small Dust Applications



The Gold Series GS-Mini™ is a single-cartridge dust collector for sub 500 CFM applications where you want a dedicated dust collector for one process machine or as a bin vent on a silo. The GS-Mini incorporates the same cam-lock features and structural strength of the standard Gold Series. A Gold Cone® filter cartridge, fan and manual pulse system are included.

STANDARD FEATURES

- 10 Ga. CS Heavy Duty Construction
- HemiPleat™ Filter Cartridge
- Integrated Magnehelic® gage to monitor the pressure drop across the filter
- Right or Left Inlet Location
- Spark-proof Aluminum Fan
- Manual Pulse Controller

OPTIONS

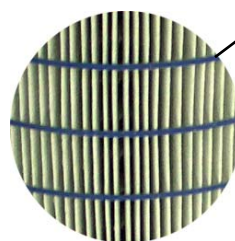
- Automatic Timer Controller
- Heavy Duty Food Grade Casters (two are swivel with locking mechanism)
- Prewired Motor Starter
- Tool-less, Quick-release Dust Drawer to remove dust
- 55-gallon drum Configuration
- Bin Vent Configuration

HemiPleat™ Gold Cone Filter Cartridge

Continuous Gasket

Factory Bonded Steel Top and Bottom Headers

Exclusive Gold Cone Technology



HemiPleat Separator Bead Ensures Uniform Pleat Spacing


FARR
Air Pollution Control



Product Sheet

Gold Series GS-Mini™

SAFE AIR FOR A SAFE WORK ENVIRONMENT

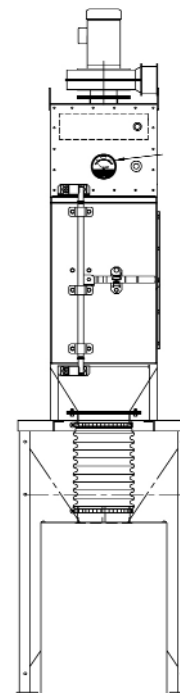
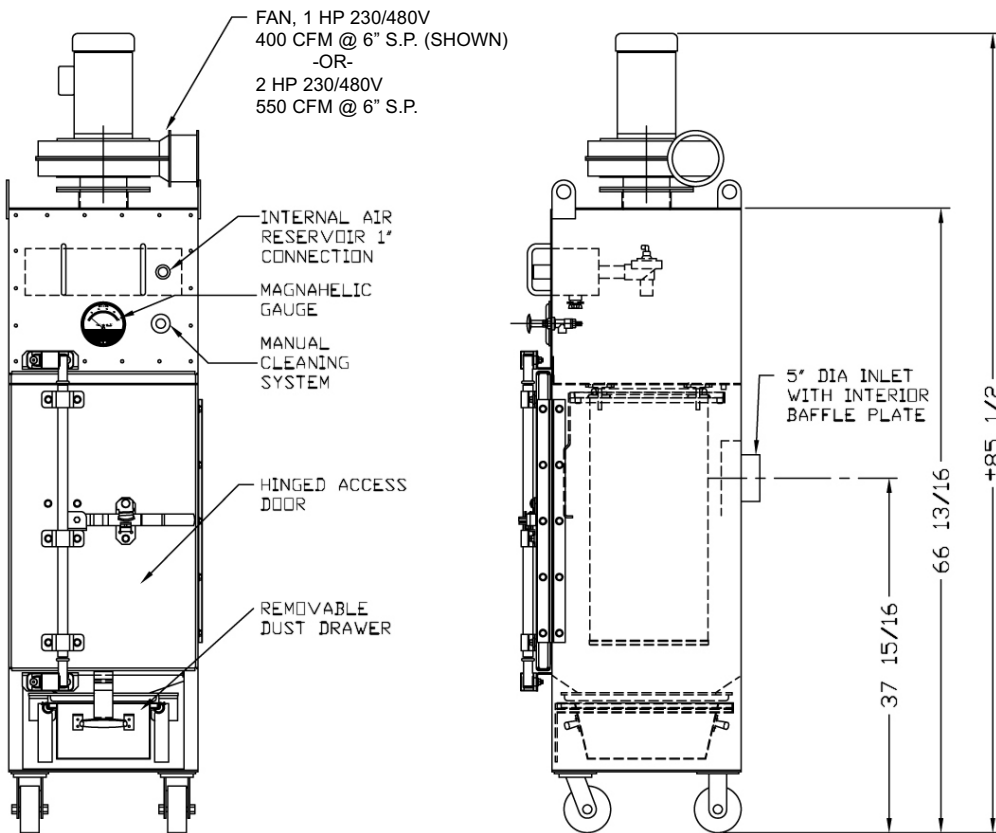
TYPICAL APPLICATIONS

- Sanding & grinding dust
- Food additive/spices
- Talc, cornstarch dust

- Abrasive blasting
- Carbon black/toner dust
- Ambient filtration

- Welding fumes
- Mixing & blending dust
- Mineral, silica dust
- Plastic & composite dust

Specifications



55-gal Drum Discharge Configuration



Optional Heavy Duty Food Grade Casters



Optional Automatic Timer Cleaning System



Tool-less, Quick-release Dust Drawer



GS-Mini Bin Vent Configuration



FARR

Air Pollution Control SAFE AIR FOR A SAFE WORK ENVIRONMENT

3501 Airport Rd. • Jonesboro, AR 72401 • 870-933-8048, Ext. 7118 • Fax: 870-933-8380
www.farrapc.com • e-mail: filterman@farrapc.com • 800-479-6801

Farr APC is a proud member of the Camfil Farr group.

9/05
© 2005 Farr Air Pollution Control, Inc.